



# H2F

Specification V1.4

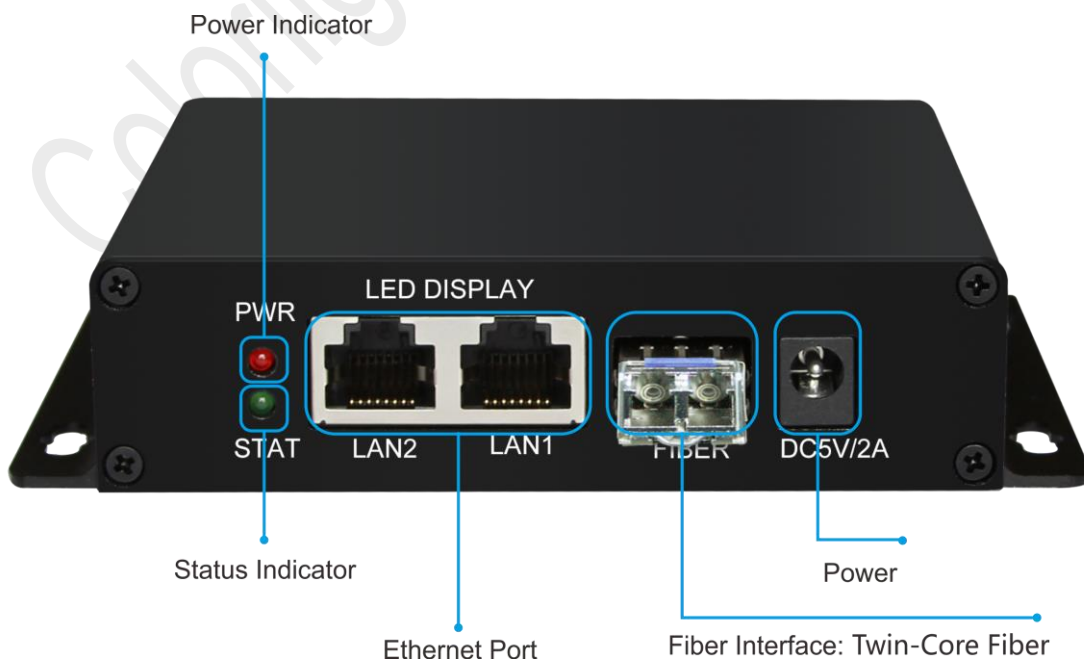
Fiber Optic Transceiver



## Features

- Distributed feedback laser diode (DFB LD)
- Up to 2.5Gb/s data links
- Multi-source package with duplex LC connector
- Hot-pluggable
- Eye safety designed to meet laser class 1

## Interface Description

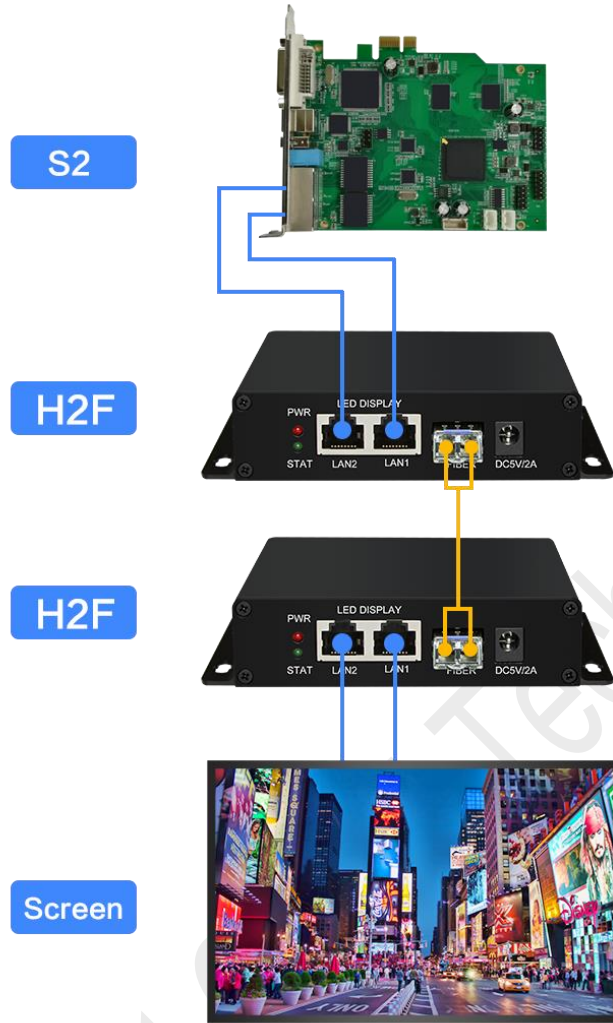


## Parameters Description

<b>Storage Temperature</b>	-40 ~85 °C
<b>Operating Temperature</b>	0 ~70 °C
<b>Power</b>	DC 5V/2A
<b>Data Rate</b>	2.5Gb/s
<b>Working Mode</b>	Single-mode
<b>Transmission Distance</b>	2km
<b>Fiber Interface Type</b>	Duplex LC
<b>Laser</b>	DFB
<b>Gigabit Ethernet Port</b>	LAN 1 & LAN 2, RJ45
<b>Fiber Interface</b>	1 port, 2.5G bandwidth

## Diagrams

Method 1: In conjunction with sending card.

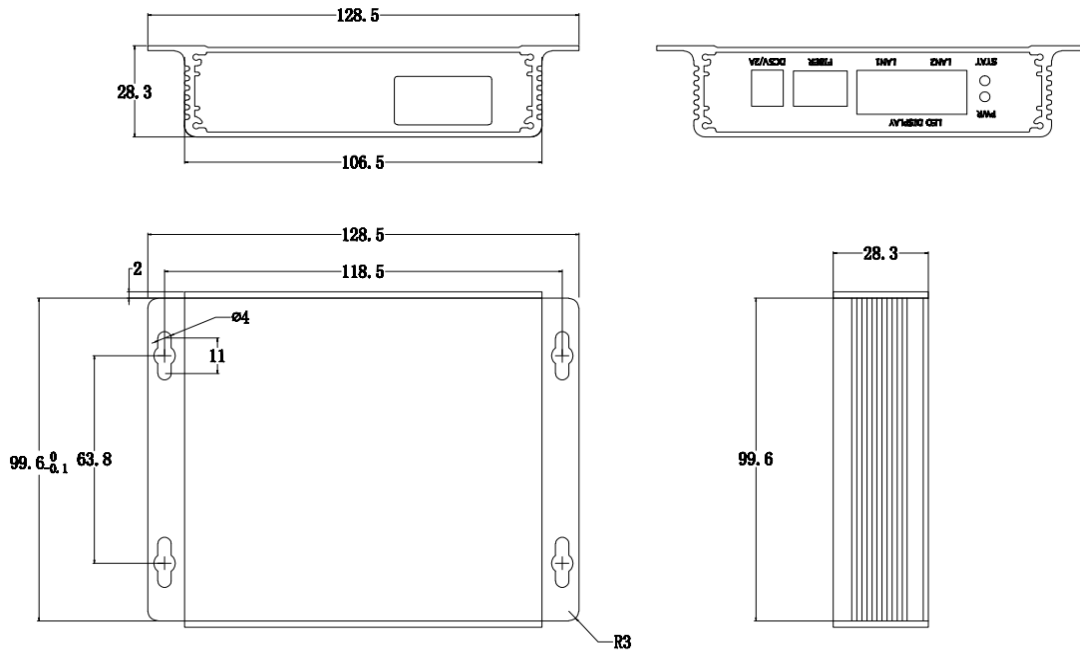


Method 2: In conjunction with S6F sender.



## Dimensions

Unit: mm



## Statement

Thank you for purchasing the product of Colorlight Cloud Tech Ltd. If you encounter any problems during use or have any suggestions, please contact us through official channels. We will do our best to provide support and listen to your valuable suggestions. We will constantly make improvements on technical specifications but without notice. You can visit [www.colorlightinside.com](http://www.colorlightinside.com) to get more updated information.

Colorlight Russia and Belarus: [www.powerlight.ru](http://www.powerlight.ru)

