



A2K

Player

Specification V1.1

Overview

A2K is a new-generation cloud networking player that supports 4K H265/H264 hardware decoding and 1080P HD output. Based on the powerful Colorlight cloud service platform, it provides functions such as device monitoring, program producing, program scheduling, program centralized publishing, and multi-level management.

The A2K player supports 4G, WiFi, wired network and other various networking methods, and can be deployed rapidly to achieve intelligent cloud management function, and multi-screen, multi-business and cross-regional unified management. It also supports using the PlayerMaster software for editing and publishing programs, arbitrarily laying out multiple windows, and playing various materials such as videos, pictures, texts, sheets, weather and clock. It can widely apply to various commercial LCD display fields, such as the screen of chain stores, retail stores and advertisement players.

Features

- High-definition output of 1080P
- Support multi-level management of cloud server and role-based program publishing
- Strong processing performance, supporting H265/H264 4K high-definition video hardware decoding and playback
- Dual band WiFi, with stable connection and fast transmission rates, supporting configuration of WiFi Station or WiFi AP
- 8GB storage
- Multiple playback modes
 - Support USB drive plug and play, and program update via USB drive
 - Synchronous playback of multiple screens
 - Program and command schedules
- Windows and materials
 - Support playing multiple program pages (up to 32 pages)
 - Rich media materials, such as pictures, videos, texts and clocks, supporting video and picture scaling
 - Support playback and overlay of multiple windows, whose size and location can be freely adjusted
 - Support playing up to two high-definition windows or one 4K video window simultaneously

- Comprehensive control scheme
Support control and management from various platforms, such as LED Assistant for smartphones and tablets, and PlayerMaster for PC.
- Network communication
 - Dual band and dual mode WiFi, supporting WiFi 2.4G and 5G band, WiFi hotspot mode or WiFi client mode¹
 - LAN, supporting DHCP mode and static mode
 - 4G communication, supporting 4G network in various countries (optional)
 - GPS positioning (optional)

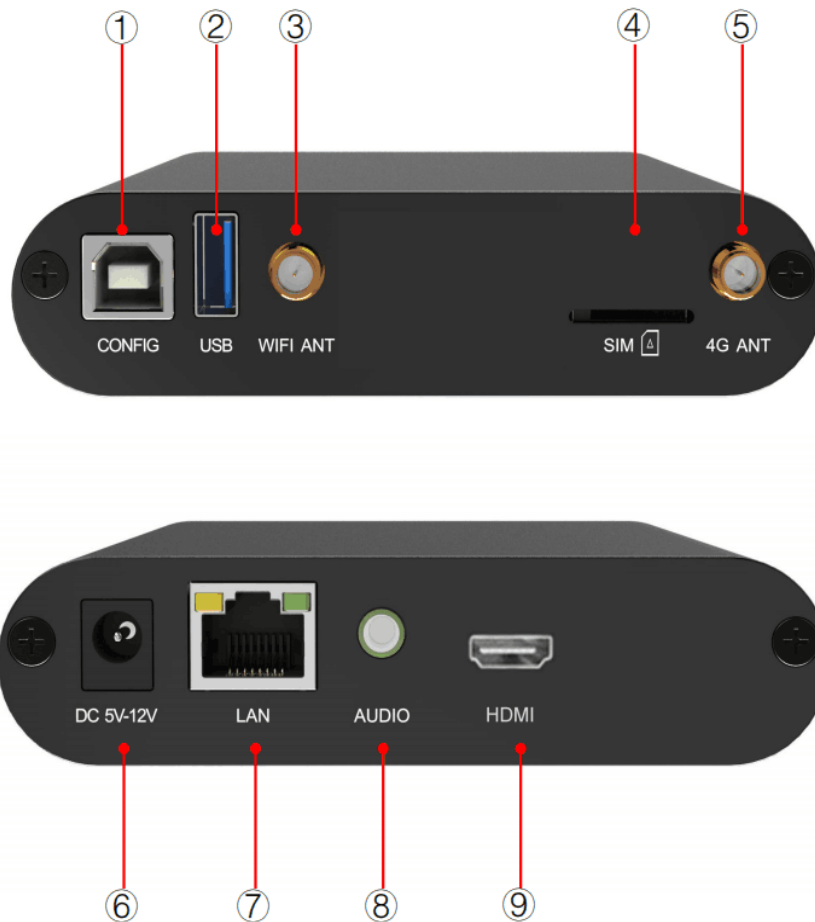
Specification

Basic Parameters	
Hardware Quality	4K high-definition hardware decoding playback
Storage	8GB (4G for content)
RAM	2GB
HDMI Output	1080P HD output
OS	Android OS 9.0 (Android Pie)
Physical Parameters	
Unboxed	108×128×26mm(4.25×5.04×1.02 inch)
Boxed	370×320×52mm(14.57×12.60×2.05 inch)
Operating Voltage	DC 5V-12V
Power Adapter	AC 100~240V 50/60Hz
Maximum Power Consumption	15W
Weight	0.33kg (11.64 oz)
Operating Temperature	-40°C ~ 80°C (-40°F ~ 176°F)
Ambient Humidity	0-95%, non-condensing

¹ The signal stability and quality of WiFi hotspot and WiFi client is related to the transmission distance, wireless network environment and WiFi band.

Packing List	<ul style="list-style-type: none"> • A2K player×1 • Power Adapter×1 • USB cable×1 • WiFi Antenna & Extension Cord×1 • User Manual×1 • Warranty Card×1 • Certificate×1
File Format	
Program Schedule	Support scheduled playback of programs
Program Split	Support flexible window split, window overlapping, and multiple pages in a program
Video Formats	HEVC (H.265), H.264, MPEG-4 Part 2, Motion JPEG
Audio Formats	AAC-LC, HE-AAC, HE-AAC v2, MP3, Linear PCM
Image Formats	bmp, jpg, png, gif, webp, etc.
Text Formats	txt, rtf, word, ppt, excel, etc.
Text Display	Single-line text, multi-line text, static text and scrolling text
Multi-window Display	Support up to 4 video windows (support only one HD window when there are 4 video windows), multiple pictures/texts, scrolling texts, scrolling pictures, LOGO, date/time/week and weather forecast windows. Flexible content display in different areas.
Window Overlapping	Support arbitrary overlapping with fully transparent, opaque and translucent effects
RTC	Real-time clock display and management
USB Drive Plug and Play	Supported

Hardware

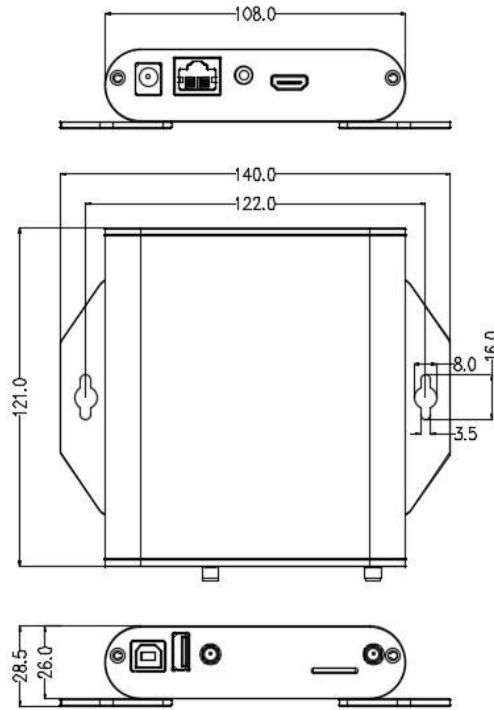
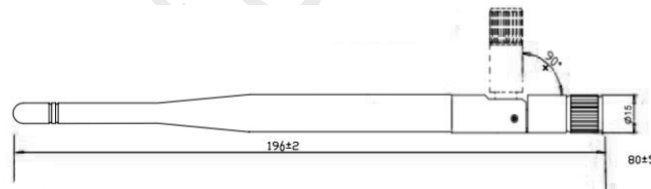
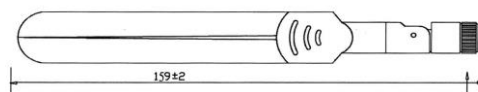


Description

No.	Name	Function
1	CONFIG	USB-B port, for controlling the device, such as setting screen parameters and publishing a program
2	USB	USB-A port, supporting USB 3.0, for updating programs via the USB drive
3	WIFI ANT	Connected to the WiFi antenna, supporting 2.4G/5G dual band, WiFi hotspot mode (as a WiFi router) and WiFi client mode (connected to other WiFi routers)
4	SIM card slot	Micro-SIM card slot
5	4G ANT	Connected to the 4G antenna (optional)
6	DC 5V-12V	Power Input
7	LAN	Access the local area network
8	AUDIO	3.5mm, HIFI stereo output
9	HDMI output	Signal output, connected to the LCD display

Dimensions

Unit: mm

A2K Player

WiFi antenna

4G antenna (optional)


Configuration and Management Software

Name	Type	Description
PlayerMaster	PC Client	Used for local or cloud screen management, as well as program editing and publishing
ColorlightCloud	Web	A web-based management system for content publishing, centralized management and screen monitoring
LED Assistant	Mobile Client	Support Android and iOS, enabling wireless control of players

Statement

Thank you for purchasing the product of Colorlight Cloud Tech Ltd. If you encounter any problems during use or have any suggestions, please contact us through official channels. We will do our best to provide support and listen to your valuable suggestions. We will constantly make improvements on technical specifications but without notice. You can visit www.colorlightinside.com to get more updated information.

Colorlight Russia and Belarus: www.powerlight.ru

